

SUCTION CUPS / Oval Flat Bellow

VOBF Series

Features and Strengths

Over bellows shaped for handling long, narrow, curved and oily workpieces
The feet inside the cup provide an anti-slide

Advantages

Excellent performance in high speed application – Fast cycle time
Stable gripping without sliding
Longer life time with PU material (3times longer than NBR of competitor)

Application



Examples of use

Automotive panels and doors, Metal Sheets, Press line
Carton box, Wood panel, Furniture

Available size option

Model	Description
VOBF30x60	Oval flat bellow suction cup, Ø30x60
VOBF40x80	Oval flat bellow suction cup, Ø40x80
VOBF55x110	Oval flat bellow suction cup, Ø55x110



Recommended Lifting Force (Max.)

Model	Volume (cm ³)	Min. Curvature Radius R(mm)	Lifting Force (Kg) - Perpendicular			Lifting Force (Kg) - Parallel			Page
			- 20 kPa	- 60 kPa	- 90 kPa	- 20 kPa	- 60 kPa	- 90 kPa	
VOBF30x60	11.00	30.00	2.7	7.6	11.2	2.8	7.8	14.5	
VOBF40x80	22.50	40.00	4.8	12.8	18.2	5.3	15.6	22.9	
VOBF55x110	66.50	50.00	8.8	22.3	33.0	13.3	29.1	44.0	

※ The lifting force above does not include safety factor

SUCTION CUPS / Oval Flat Bellow

VOBF30x60



Features and Strengths

Over bellows shaped for handling long, narrow, curved and oily workpieces
The feet inside the cup provide an anti-slide

Examples of use

Automotive panels and doors, Metal sheets, Press line
Carton box, Wood panel, Furniture



Build an Ordering No.

VOBF30x60 - : Pre-mounted fitting
1. Suction Cup

1. Suction cup	Description	Weight (g)	Symbol
	Oval flat below suction cup, 30x60mm diameter, Polyurethane, M10xP1.5 male Fitting	30.57	VOBF30x60-PU-M10M
	Oval flat below suction cup, 30x60mm diameter, Polyurethane, G1/8 female Fitting	32.9	VOBF30x60-PU-18F
	Oval flat below suction cup, 30x60mm diameter, Polyurethane, G1/8 male Fitting	30.96	VOBF30x60-PU-18M
	Oval flat below suction cup, 30x60mm diameter, Polyurethane, G1/4 female Fitting	28.51	VOBF30x60-PU-14F
	Oval flat below suction cup, 30x60mm diameter, Polyurethane, G1/4 male Fitting	32.15	VOBF30x60-PU-14M
	Oval flat below suction cup, 30x60mm diameter, Polyurethane, G3/8 female Fitting	31.83	VOBF30x60-PU-38F

Recommended Lifting Force (Max.)

Model	Volume (cm ³)	Min. Curvature Radius R(mm)	Lifting Force (Kg) - Perpendicular	Lifting Force (Kg) - Parallel
VOBF30x60	11.00	30.00	- 20 kPa - 60 kPa - 90 kPa	- 20 kPa - 60 kPa - 90 kPa
			2.7	7.8
			7.6	14.5

※ The lifting force above does not include safety factor

Material Specifications

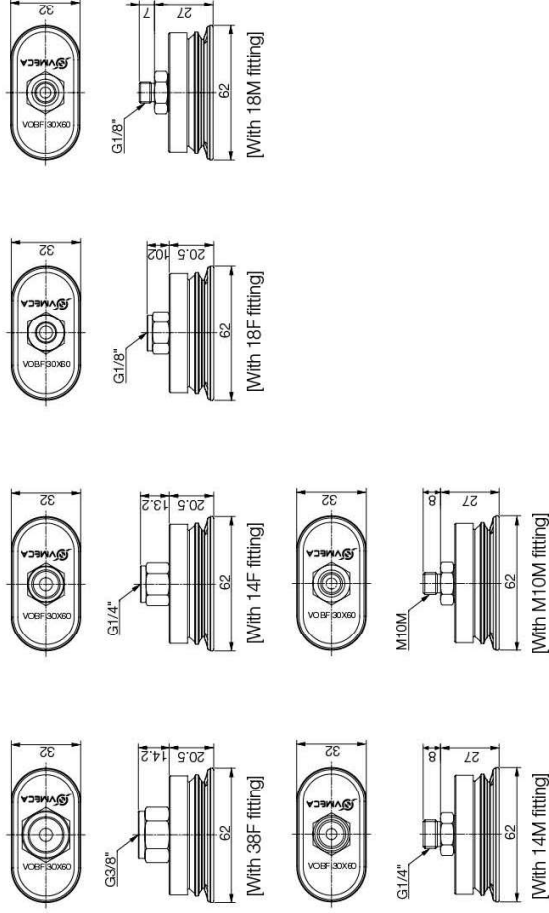
Material	Hardness Shore (°)	Color	Temperature (°C)
Polyurethane	60	Translucent Orange	0~60

Material Resistance

Description	Polyurethane
Wear Resistance	Excellent
Oil	Excellent
Weather / Ozone	Excellent
Alcohol	Fair
Acid	Fair

Dimension

[Unit : mm]



SUCTION CUPS / Oval Flat Bellow

VOBF40x80

Features and Strengths

Oval bellows shaped for handling long, narrow, curved and oily workpieces
The feet inside the cup provide an anti-slide

Examples of use

Automotive panels and doors, Metal sheets, Press line
Carton box, Wood panel, Furniture



Recommended Lifting Force (Max.)

Model	Volume (cm ³)	Min. Curvature Radius R(mm)	Lifting Force (Kg) - Parallel	Lifting Force (Kg) - Perpendicular	Lifting Force (Kg) - Parallel
			- 20 kPa	- 60 kPa	- 90 kPa
VOBF40x80	22.50	40.00	4.8	12.8	15.6
					- 60 kPa
					- 90 kPa
					22.9

※ The lifting force above does not include safety factor

Material Specifications

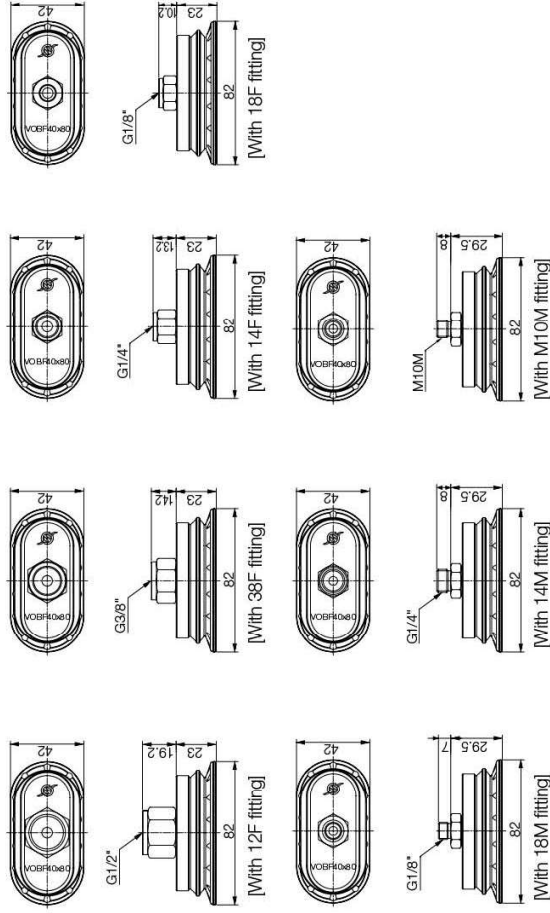
Material	Hardness Shore (°)	Color	Temperature (°C)
Polyurethane	60	Translucent Orange	0~60

Material Resistance

Description	Polyurethane
Wear Resistance	Excellent
Oil	Excellent
Weather / Ozone	Excellent
Alcohol	Fair
Acid	Fair

Dimension

[Unit : mm]



Build an Ordering No.



: Pre-mounted fitting

1. Suction cup	Description	Weight (g)	Symbol
	Oval flat below suction cup, 40x80mm diameter, Polyurethane, M10xP1.5 male Fitting	39.44	VOBF40x80-PU-M10M
	Oval flat below suction cup, 40x80mm diameter, Polyurethane, G1/8 female Fitting	41.77	VOBF40x80-PU-18F
	Oval flat below suction cup, 40x80mm diameter, Polyurethane, G1/8 male Fitting	39.83	VOBF40x80-PU-18M
	Oval flat below suction cup, 40x80mm diameter, Polyurethane, G1/4 female Fitting	37.38	VOBF40x80-PU-14F
	Oval flat below suction cup, 40x80mm diameter, Polyurethane, G1/4 male Fitting	41.02	VOBF40x80-PU-14M
	Oval flat below suction cup, 40x80mm diameter, Polyurethane, G3/8 female Fitting	40.7	VOBF40x80-PU-38F

